



Stainless Steel Fixings Ltd, No10
Charlwoods Road, East Grinstead, West
Sussex, RH19 2HU

CONTRACT:

EACH TO BE SUPPLIED WITH:

DIMENSIONS:

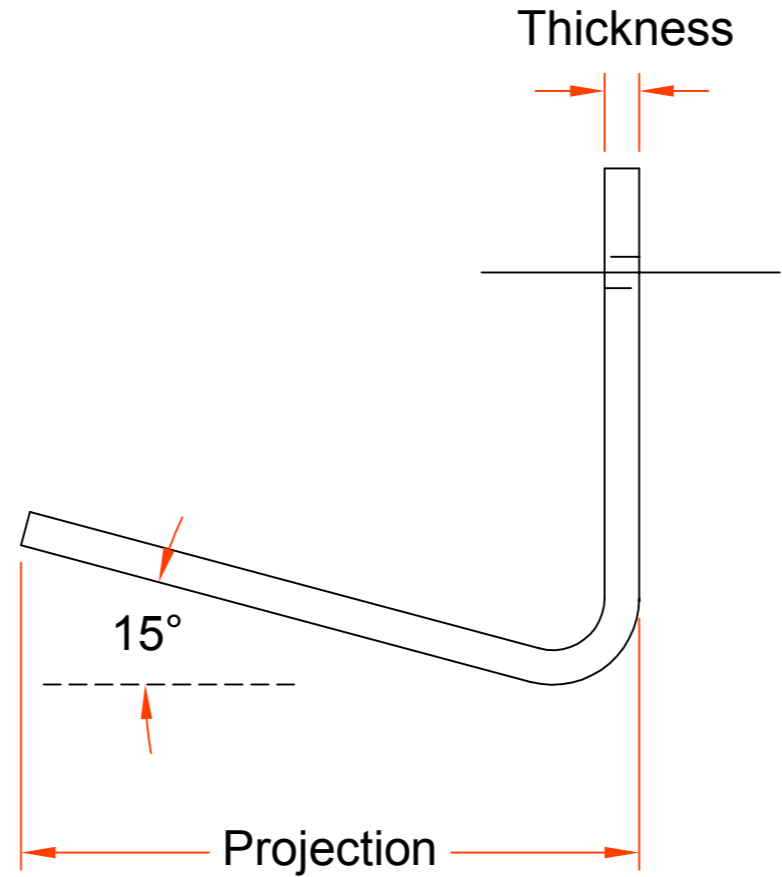
LENGTH = _____
PROJECTION = _____
HT = _____
THICKNESS = _____
SLOT B SIZE (L x W) = _____ x _____
Z = _____

GRADE: EN1.4301 (304) unless otherwise
advised.

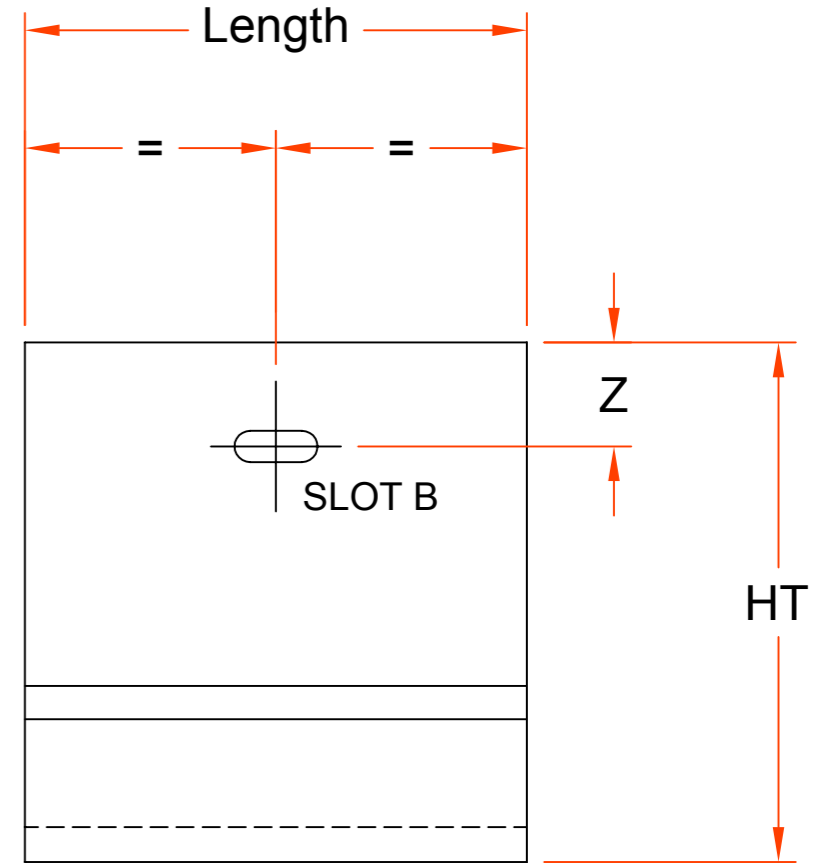
SUPPORT

STANDARD
FIXING No.

S6



SIDE VIEW



ELEVATION