



Stainless Steel Fixings Ltd, No10
Charlwoods Road, East Grinstead, West
Sussex, RH19 2HU

CONTRACT:

EACH TO BE SUPPLIED WITH:

DIMENSIONS:

LENGTH = _____

PROJECTION = _____

HT = _____

THICKNESS = _____

SLOT B SIZE (L x W) = _____ x _____

END SPACE, X = _____

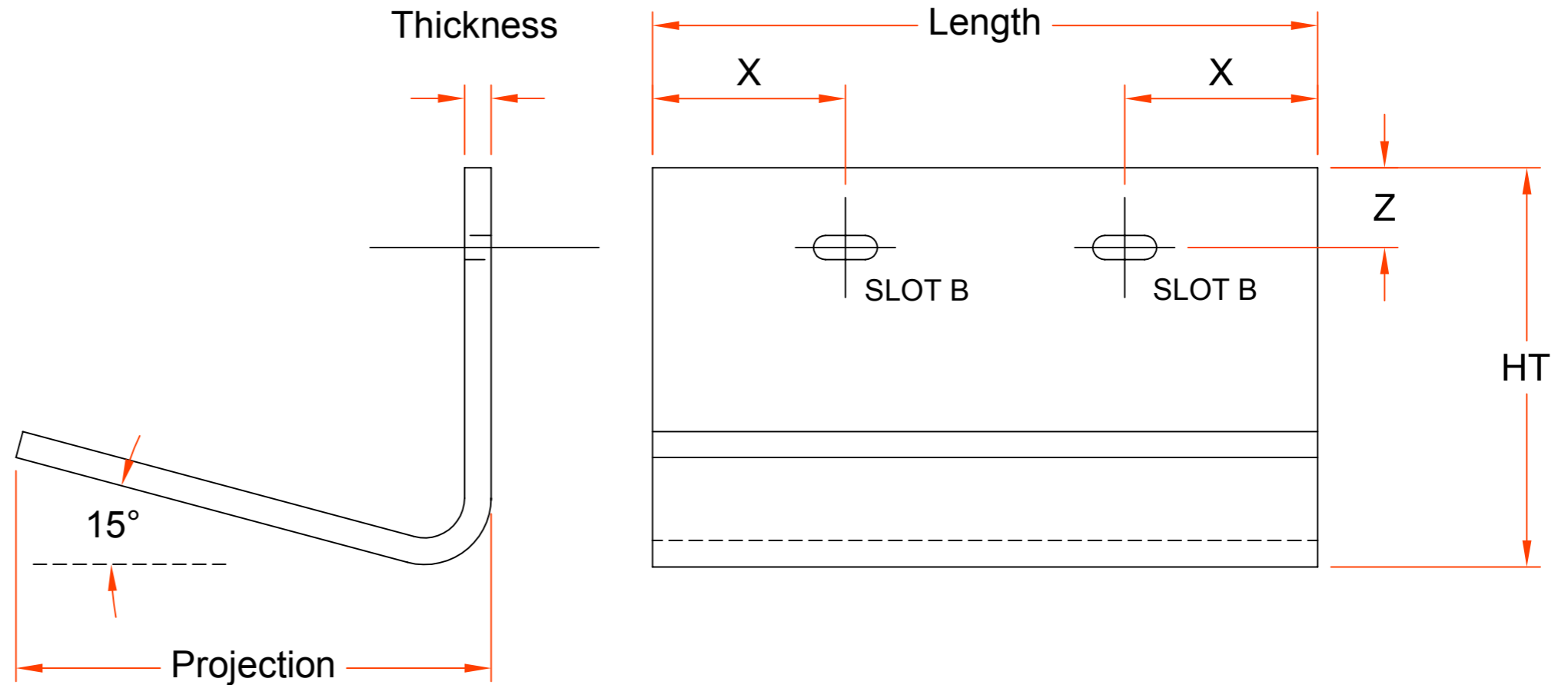
Z = _____

GRADE: EN1.4301 (304) unless otherwise
advised.

SUPPORT

STANDARD
FIXING No.

S5



SIDE VIEW

ELEVATION